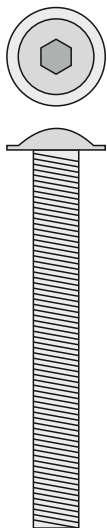


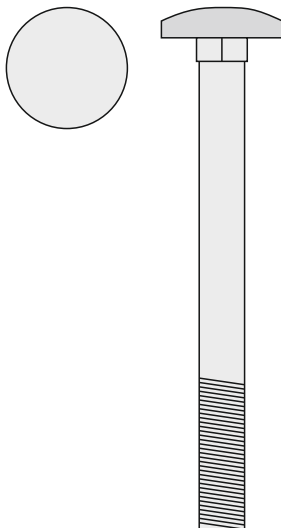
1:1

A
(M6X50)



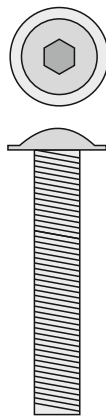
X4

B
(M6X65)



X6

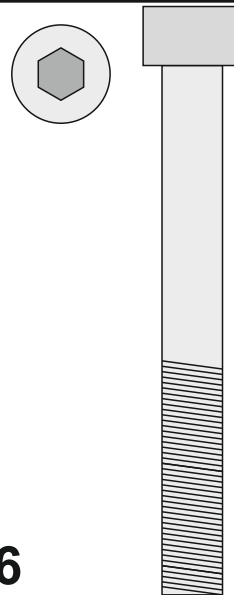
C
(M6X35)



(STAINLESS)

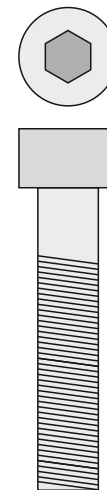
X5

D
(M8X70)



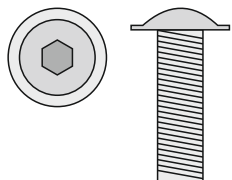
X6

E
(M8X40)



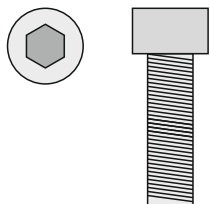
X2

F
(M6X20)



X16

G
(M6X20)



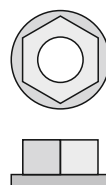
X8

H
(M4X12)

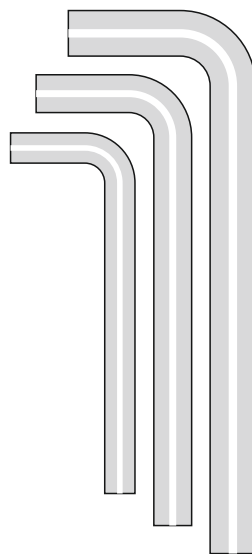


X4

I
(M6)

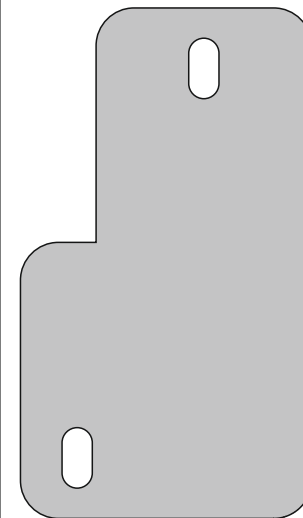


X9



4 5 6

1



X2

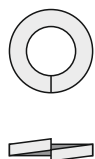
J
(M8)



(SELF-COUNTERING)

X4

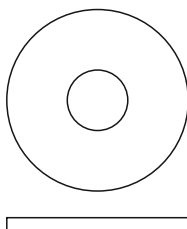
K
(M6)



(SPRING)

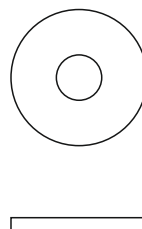
X8

L
(8X24)

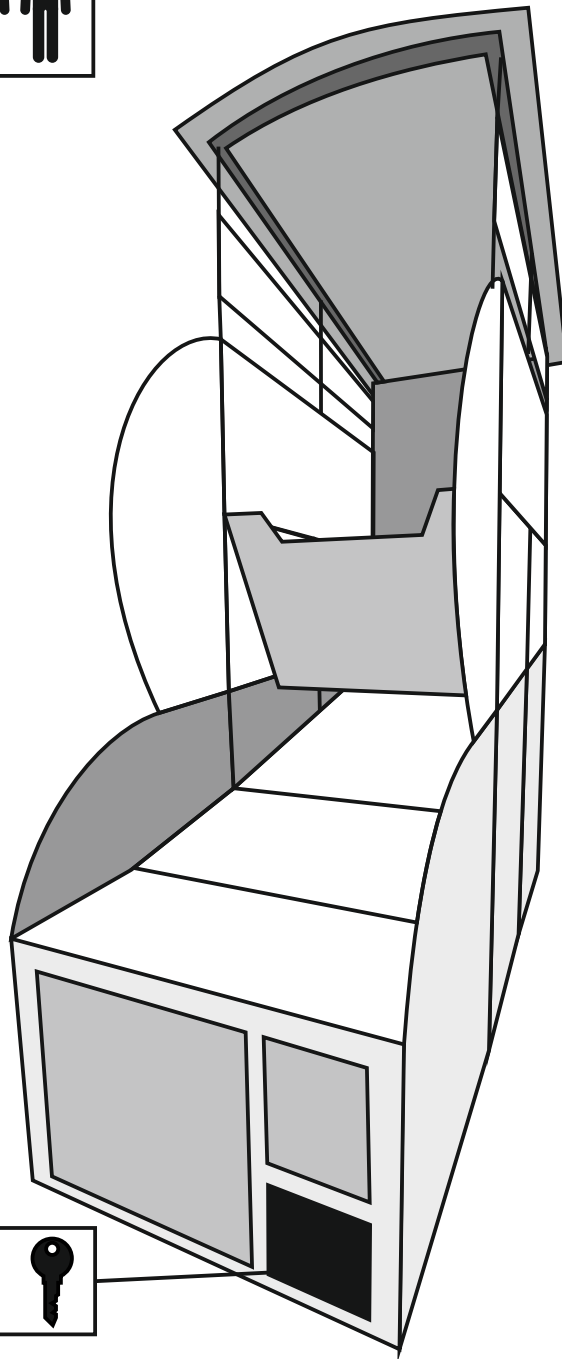
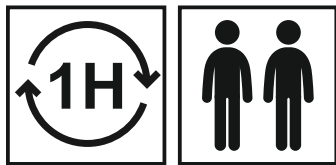


X12

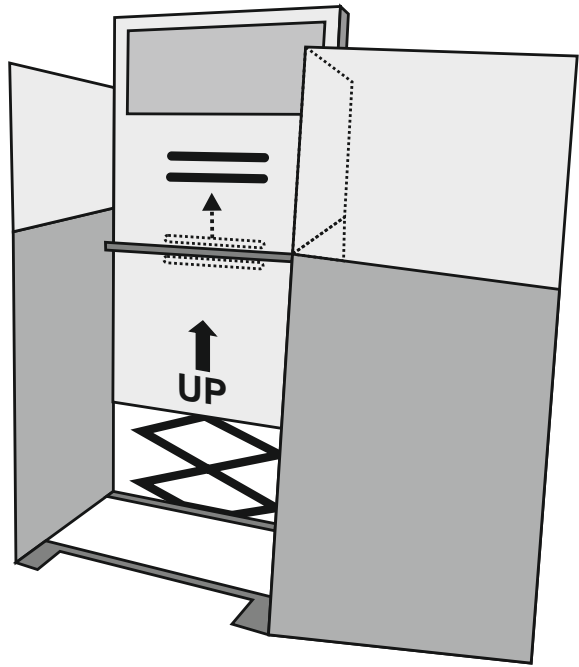
M
(6X18)



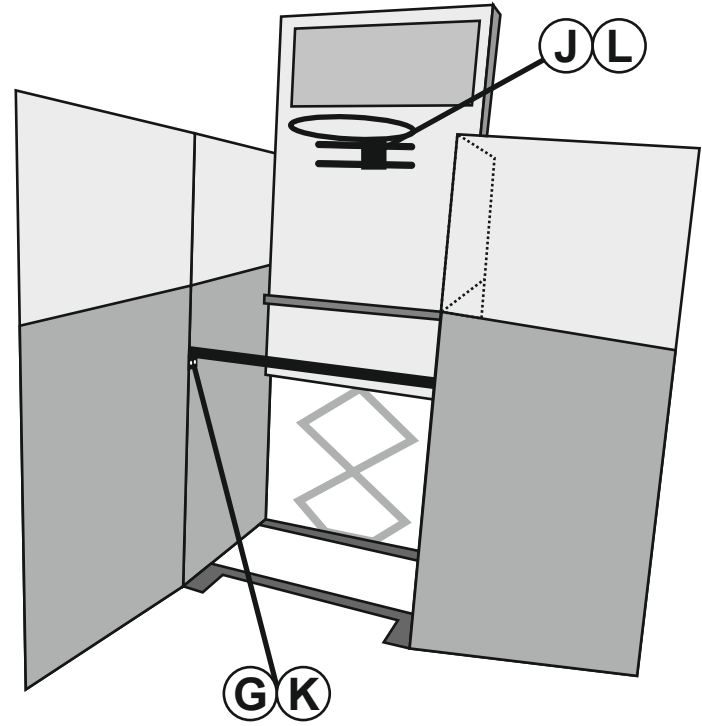
X20



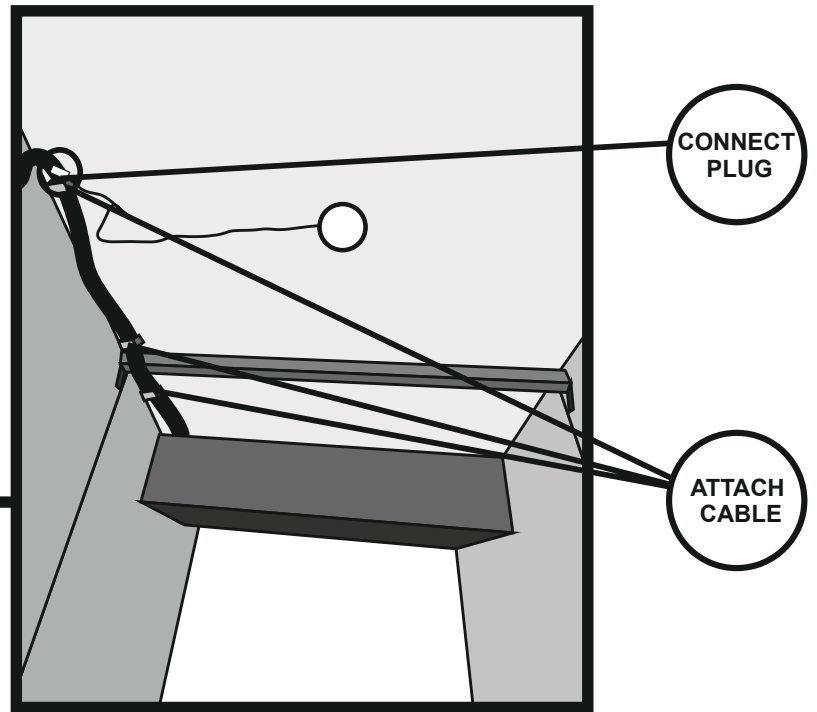
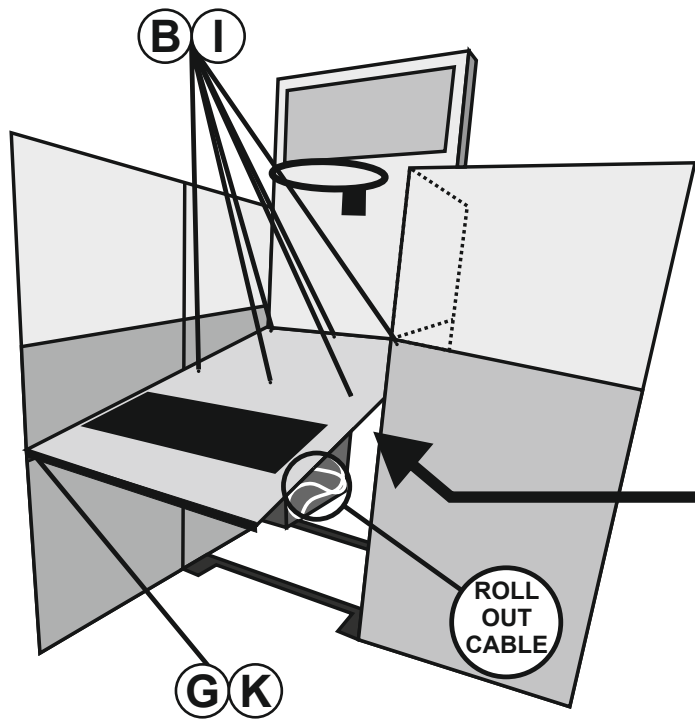
1



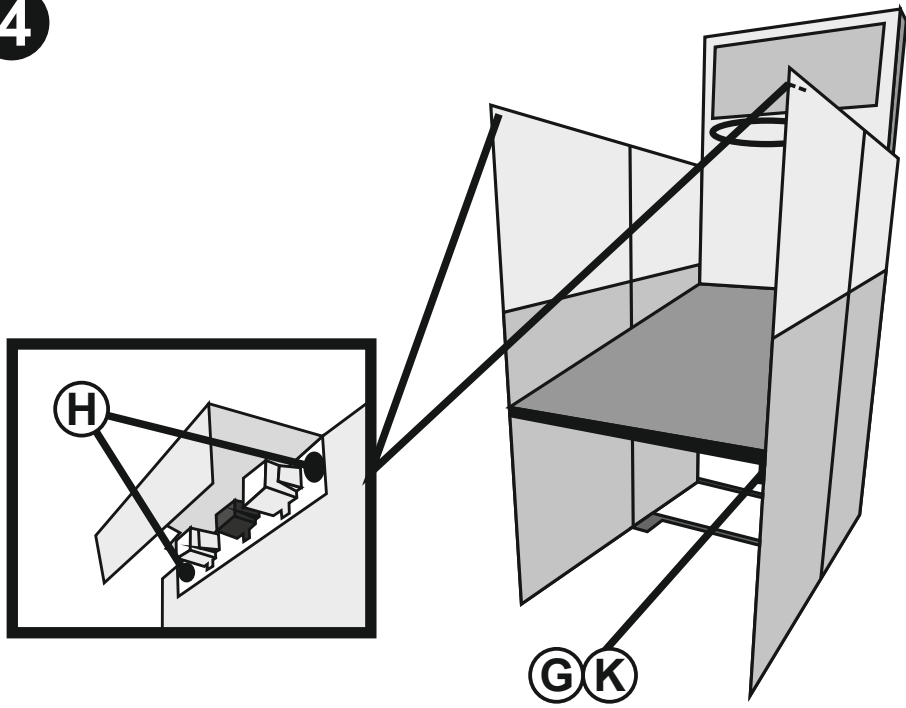
2



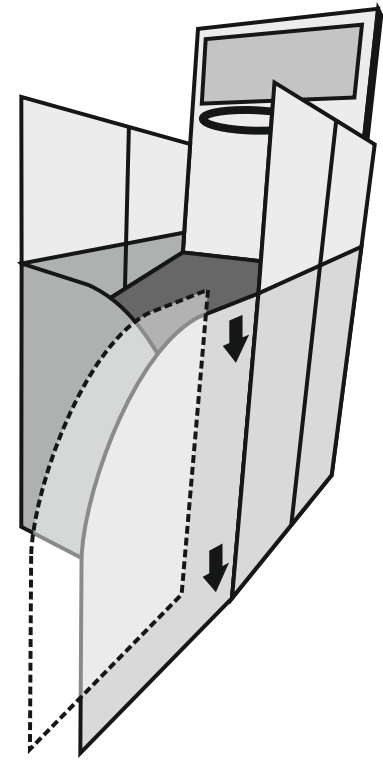
3



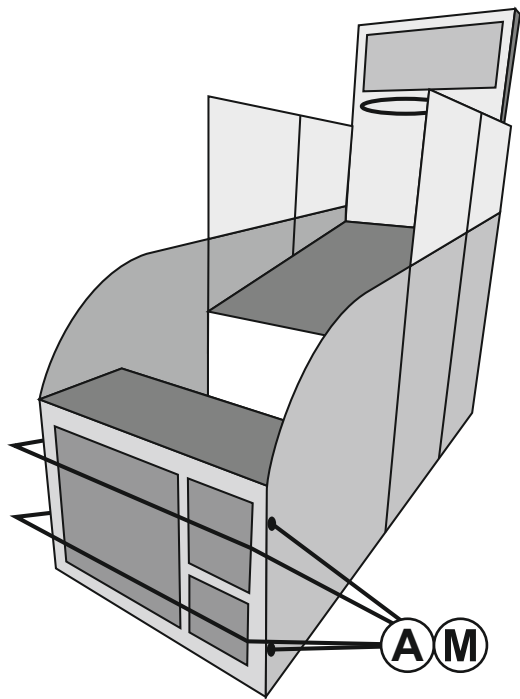
4



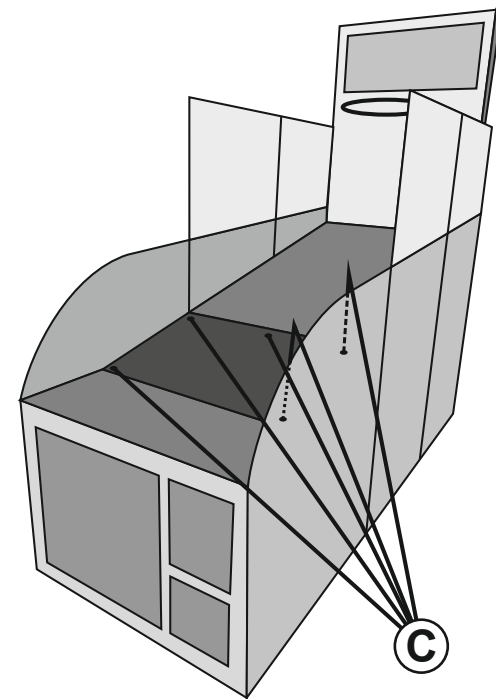
5



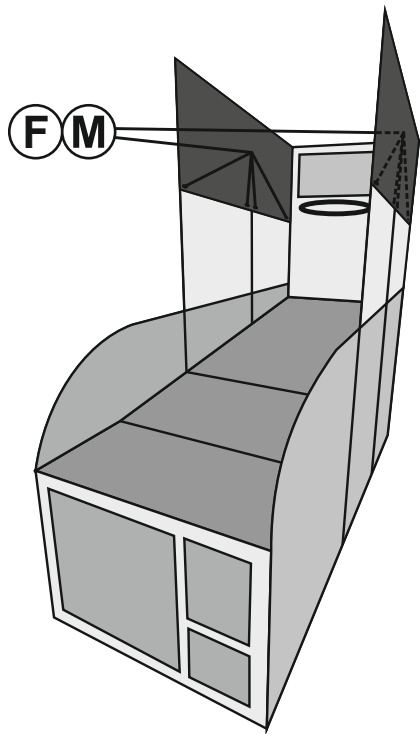
6



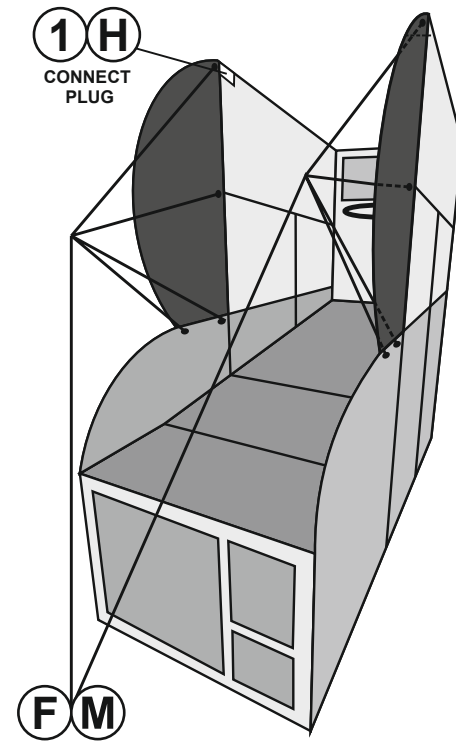
7



8



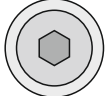

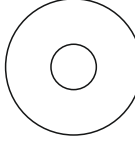
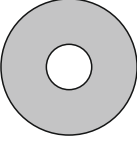
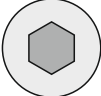
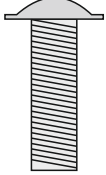


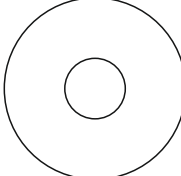

9

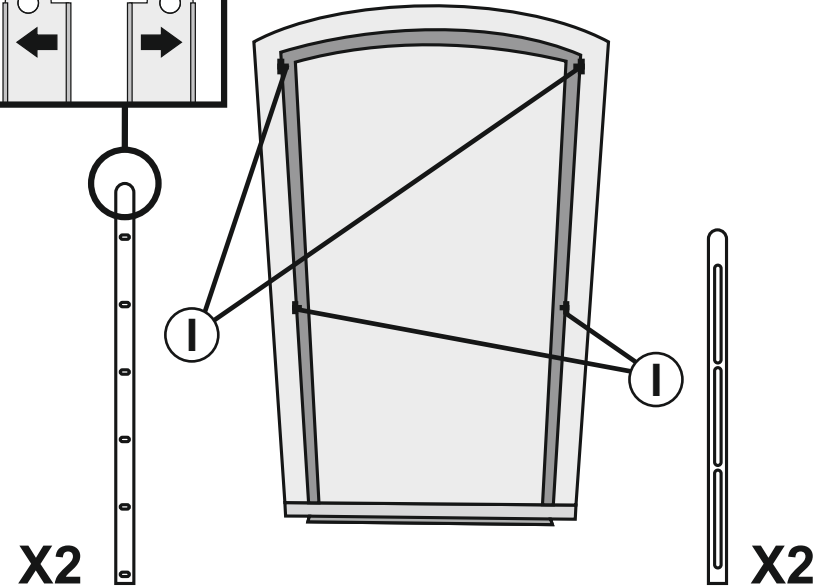
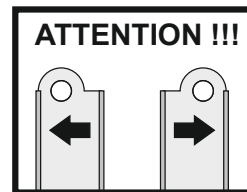


10

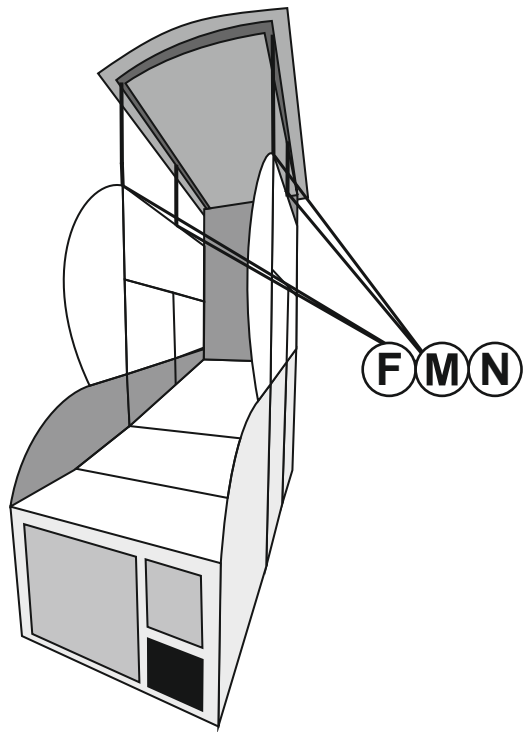
1:1

ROOF

F (M6X20)	I (M6)	M (6X18)	N (6X18)	O (M8X35)
X6	X14	X22	X22	X4
				
		L (8X24)		
		X4		



11

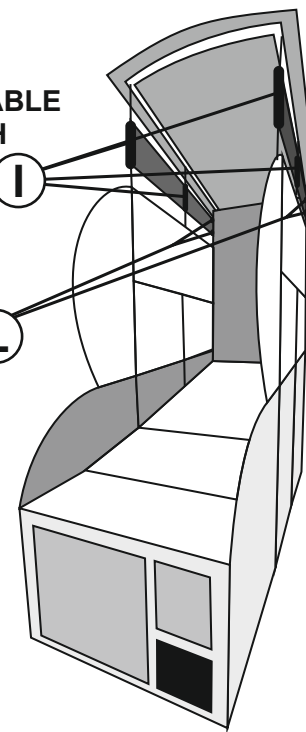


12

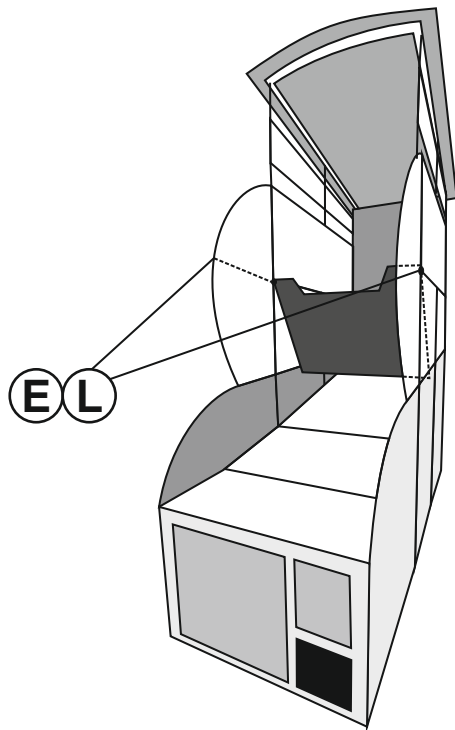
ADJUSTABLE MESH

NMI

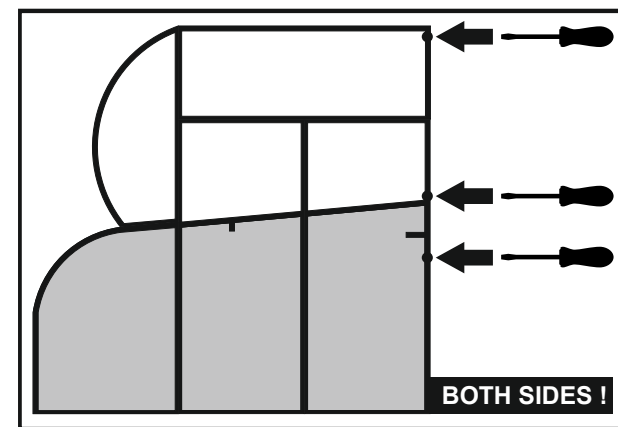
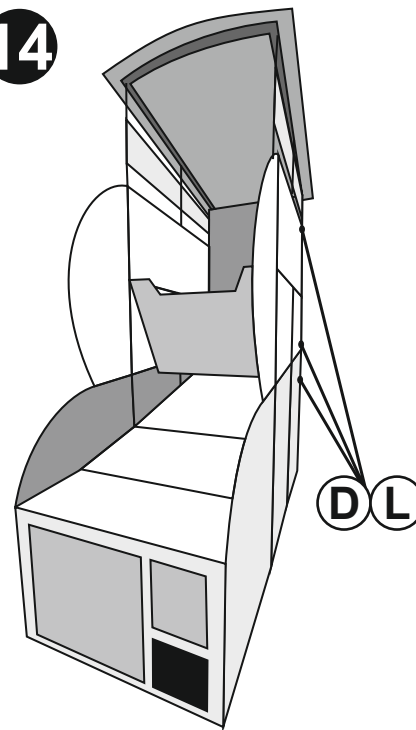
OL



13



14



AFTER ASSEMBLY BASKETBALL LOCK SCORE BOARD !!!